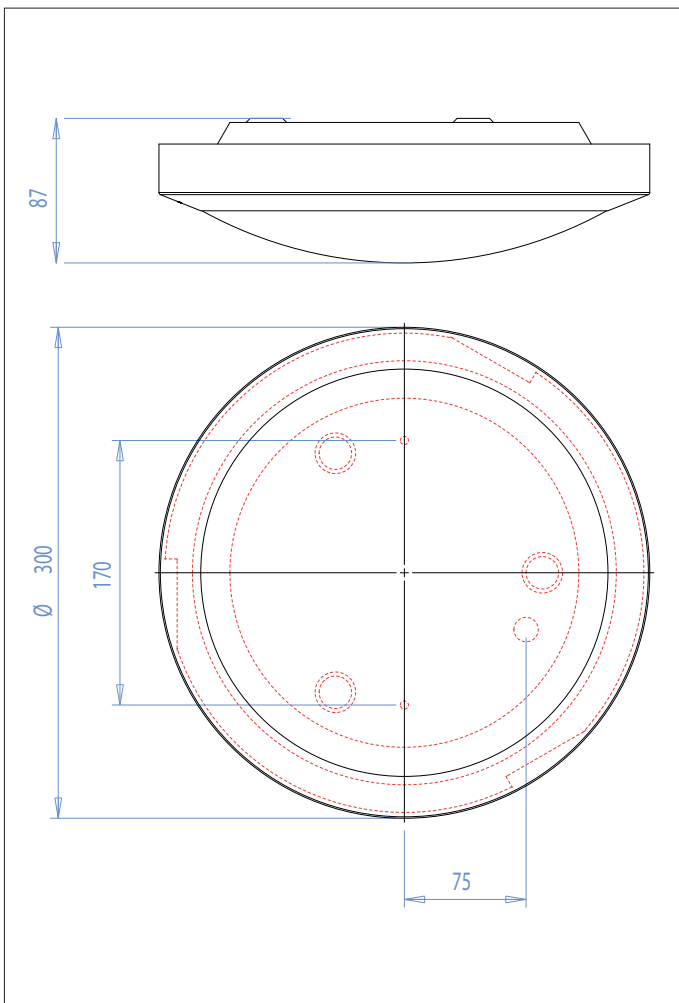
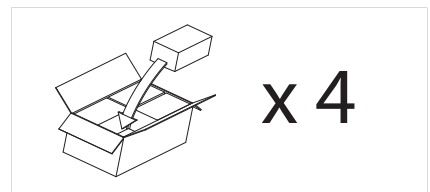
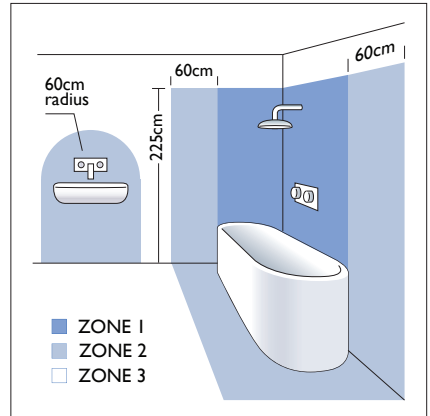


0565 Dakota Plus 300



1 x 28w 2D		excl.
---------------	--	-------

Zones	2	3
-------	----------	----------



NOTE:
If used with a motion detector, ensure a minimum of 20 minutes ON time.

Astro Lighting Ltd.
G2 River Way, Harlow
CM20 2DP, Great Britain

T: +44 (0) 1279 427001
F: +44 (0) 1279 427002
sales@astrolighting.co.uk
www.astrolighting.co.uk